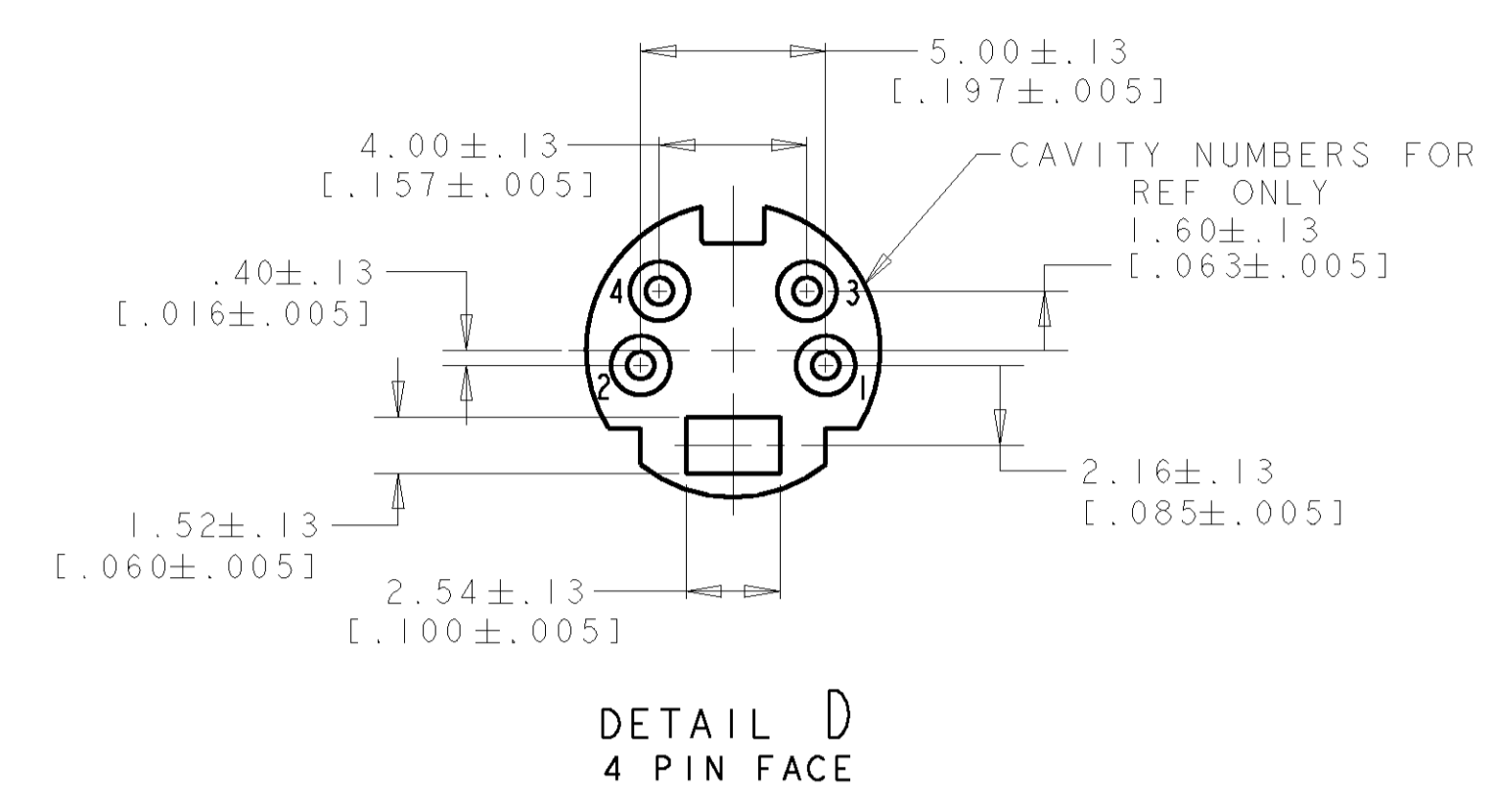
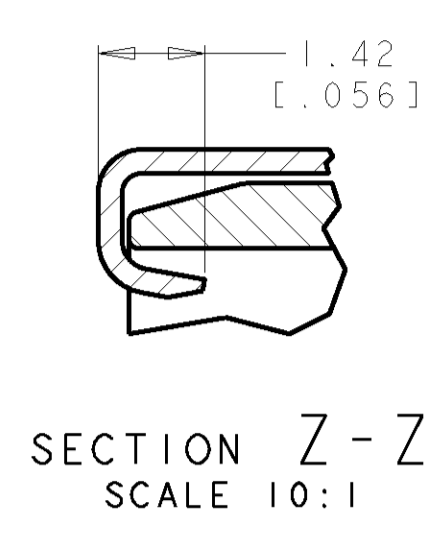
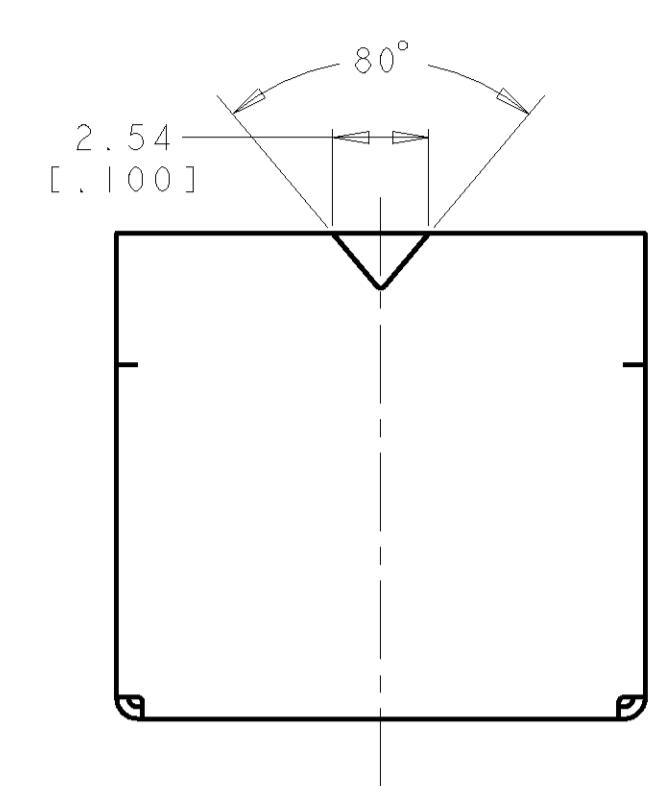
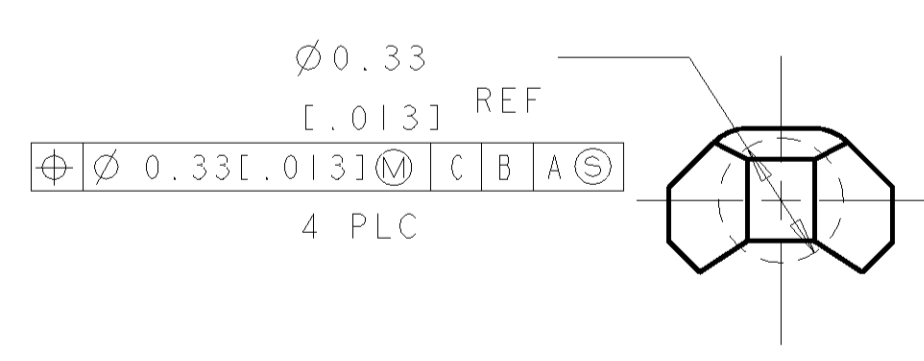
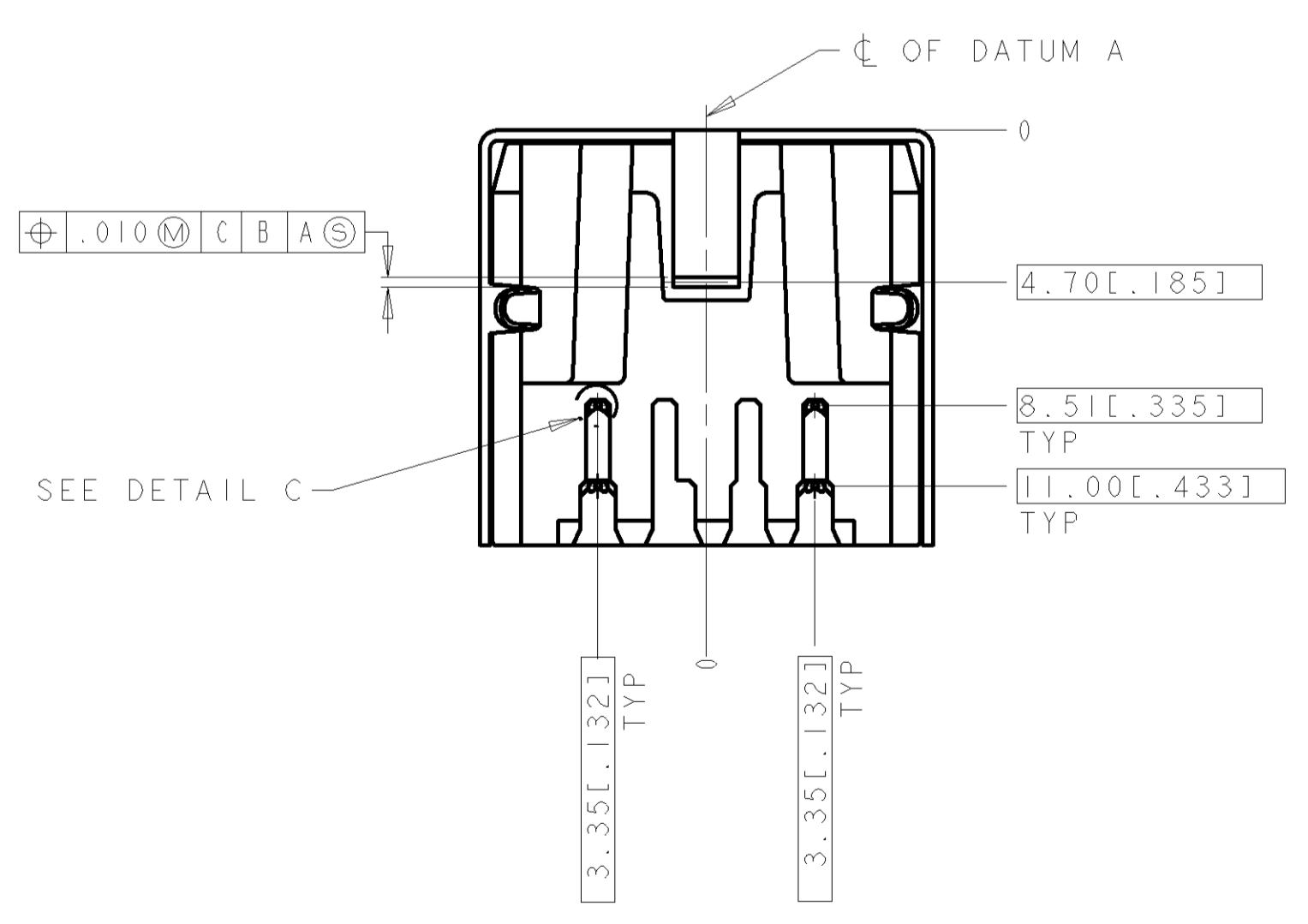
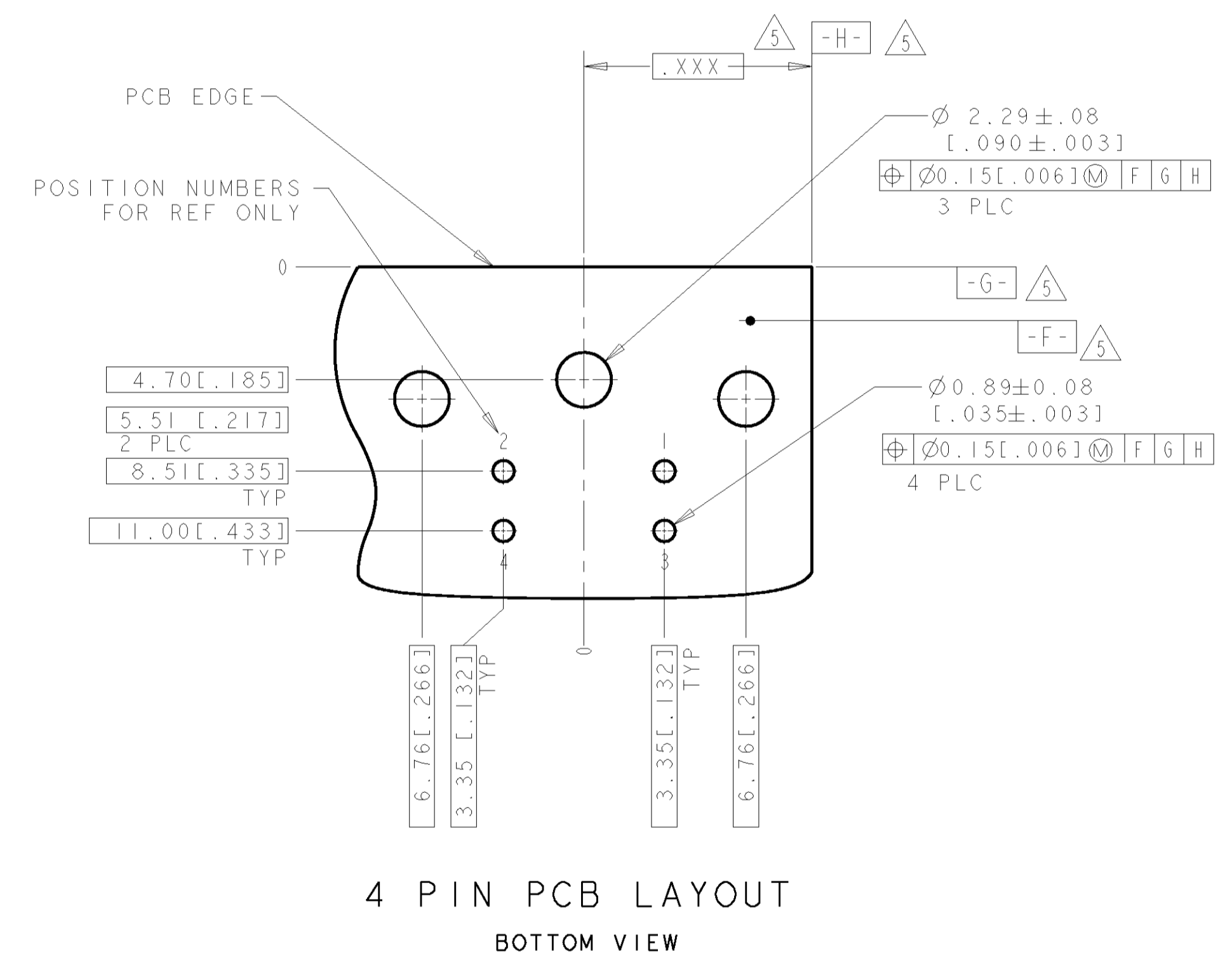
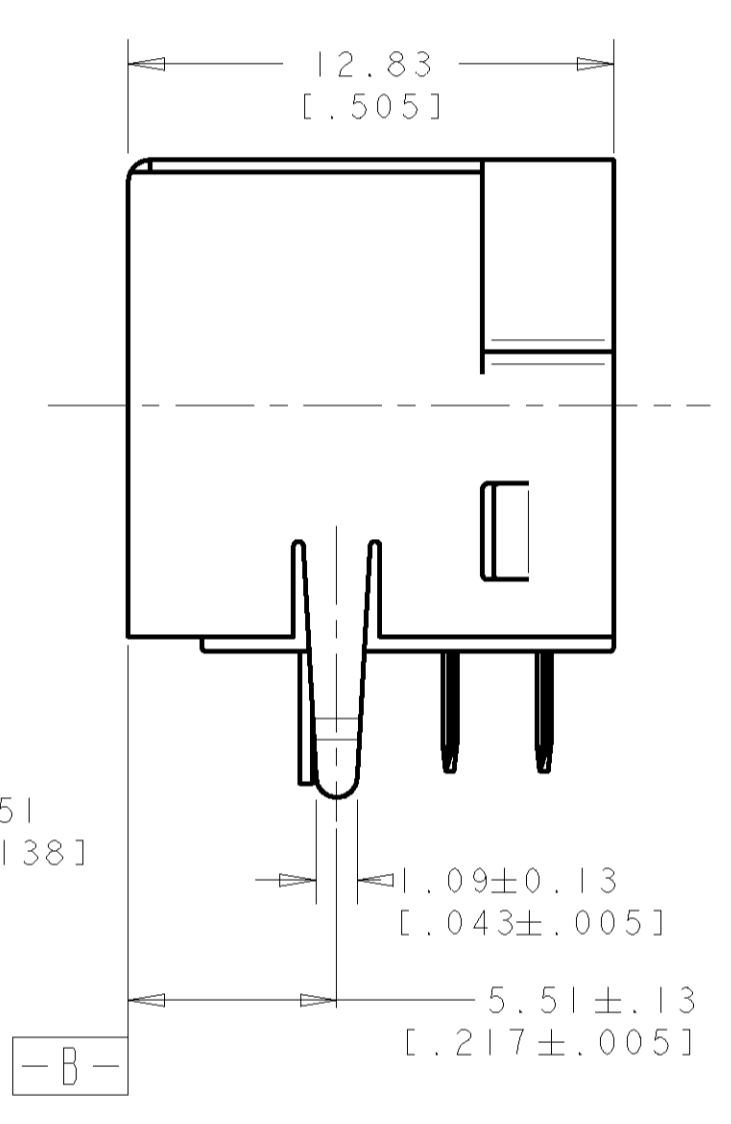
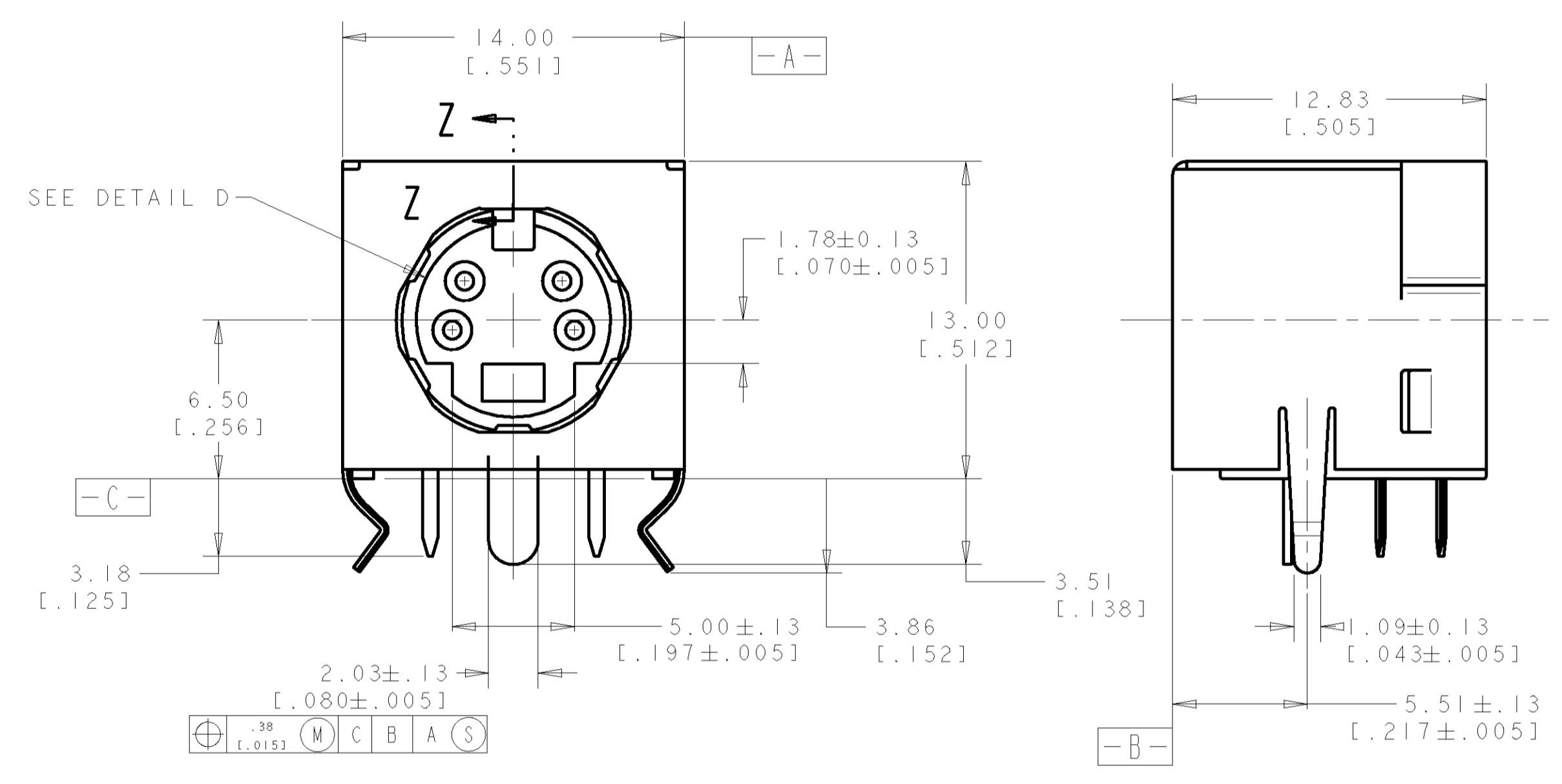


LOC	DIST	REV	DESCRIPTION	DATE	DNM	APRD
DY	-	P	REVISED PER ECO-11-005139	19MAR11	RK	HMR



- ⚠ RECEPTACLE CONTACTS: COPPER ALLOY.
RECEPTACLE SHIELD: COPPER ALLOY.
HOUSING: THERMOPLASTIC, COLOR: SEE TABLE, UL 94V-0 RATED.
- ⚠ PLATING:
RECEPTACLE CONTACTS - GOLD PLATED .00076 MIN [0.00030 MIN] THICK ON MATING END, MATTE-TIN PLATED .0030 MIN [0.00120 MIN] THICK ON SOLDER TAIL ALL OVER .0013 MIN [0.00050 MIN] THICK NICKEL.
- ⚠ PLATING:
SHIELD: PRE-TIN PLATED
- 4. RECEPTACLE ASSEMBLY MATES WITH 4 PIN 9.00±.10 [0.354±.004] DIAMETER PLUG.
- ⚠ DATUMS AND BASIC DIMENSION SUPPLIED BY CUSTOMER.



DETAIL C
SCALE 50:1

BLACK	5749181-1
HOUSING COLOR	PART NO

DIMENSIONS: mm [INCHES]		TOLERANCES UNLESS OTHERWISE SPECIFIED:		DWN WYLLIE 31DEC2004 CHK SF LEONG	
0 PLC	±	0.38 [0.015]	±	APRD SF LEONG	NAME RECEPTACLE ASSY W/ HOLD DOWN, 4 POS RIGHT ANGLE, MINIATURE CIRCULAR DIN
1 PLC	±	0.38 [0.015]	±	PRODUCT SPEC	108-1225
2 PLC	±	0.38 [0.015]	±	APPLICATION SPEC	114-40031
3 PLC	±	0.38 [0.015]	±	WEIGHT	A1 00779
4 PLC	±	0.38 [0.015]	±	CUSTOMER DRAWING	SCALE 5:1 SHEET 1 OF 1 REV P
5 PLC	±	0.38 [0.015]	±		
6 PLC	±	0.38 [0.015]	±		
7 PLC	±	0.38 [0.015]	±		
8 PLC	±	0.38 [0.015]	±		
9 PLC	±	0.38 [0.015]	±		